

JBC

www.jbctools.com

INSTRUCTION MANUAL



B210K

Expansion Kit for B210 Handle

This manual corresponds to the following reference:

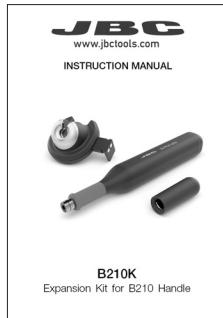
B210-KB

Packing List

The following items are included:



Expansion Kit for B210 Handle 1 unit



Manual 1 unit
Ref. 0030953

 Please read this manual and its safety guidelines thoroughly before using the product.

Features

Expansion Kit B210K is used to upgrade B-IRON stations with one tool holder or to replace a tool holder of dual-tool B-IRON stations.

The tool provided with B210K works with C210 cartridges.

B210
Precision Handle
for B-IRON



C210 *
Cartridge
Range

Safety Cap

*Tool Holder
for B210/B115*



B115/B210 Charging Base

** Not included, sold separately*

B210 Handle comes with a safety cap that allows to safely transport the tool with a cartridge inserted. While the tool is being used, the cap can be stored on the tool cap holder at the back of the charging base.

When the cap is placed onto the tool, the cartridge stops heating immediately, data transfer is cut off and the tool is disconnected from the station. It turns off completely after 10 minutes of inactivity. This allows a greater saving of the tool's battery.

More detailed information on the following pages.



*Safety Cap
Holders*

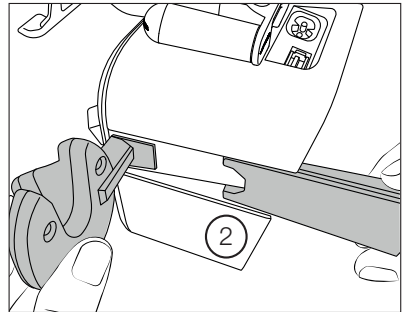
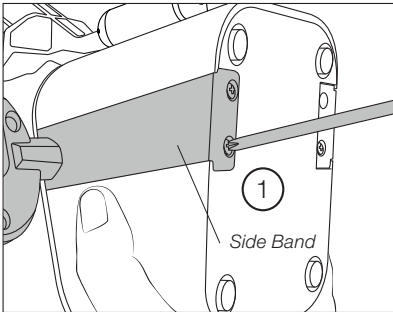
Tool Holder Dissassembly and Replacement

Adjustable tool holders can be disassembled by loosening the screws (1) at the bottom of the charging stand and pulling downward from the side band (2).

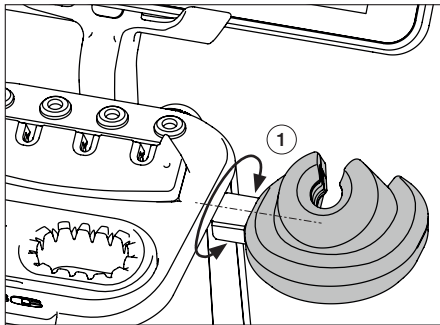
⚠ Before sliding down the side band, hold the tool holder with your hand to prevent it from falling off.

Then, to install a new tool holder onto the charging base, place the tool holder at the top of the side rail and slide back the side band over it until it is secured in place. Finally tighten the screws at the base.

Find more information on Expansion Kits at www.jbctools.com.



Tool Holder Angle Adjustment



Adjust the tool holder angle by simply rotating it forward or backward (1) to the desired working position (2). Tool holders have 7 different positions, each one varying by an angle of 10 degrees.

⚠ Do not rotate the tool holder with a tool resting on it.

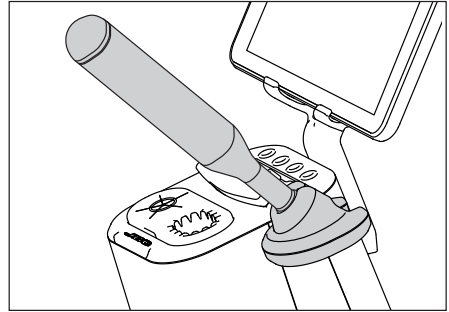
Tool Charging

Place the tool on the tool holder (4) to charge it. A beep will sound to confirm that the tool is properly placed and charging.

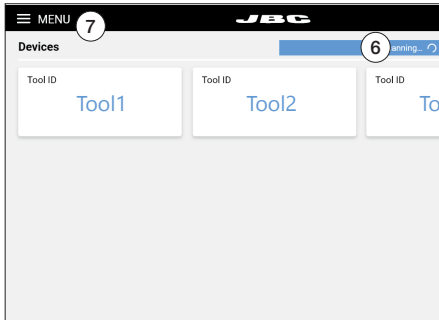
The sound can be turned up, down or off using the buttons on the display.

⚠ Note: Charge the tool completely before using it for the first time. It will take approx. 60 min for B210.

For information on how to change cartridges and the use of the cartridge exchanger, see section “Cartridge Exchanger and Cartridge Holder”.



Tool Selection



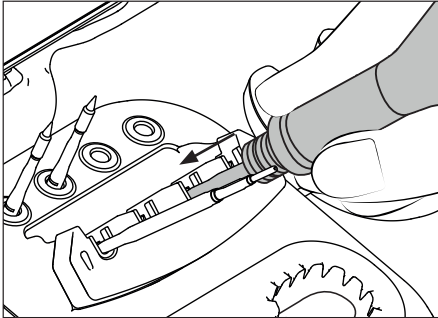
Select the tool from the device list. If the tool is not displayed on screen, make sure that the cap is off and the tool has some battery. Try scanning again by tapping *Scan* (6) on the display.

To add a second tool to the station once the first one is connected, go to the main menu (7) and tap *Add device*. Select your second tool from the device list.

Inserting and Exchanging Cartridges

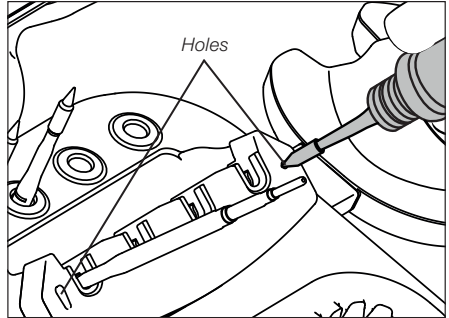
The cartridge exchanger saves time and allows to change cartridges safely without switching the tool off.

Inserting Cartridges



Place the handle over a cartridge and press the handle down to insert the cartridge.

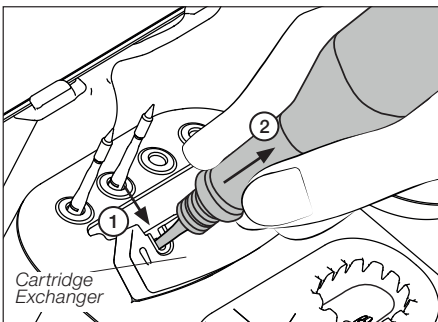
Fixing Cartridges



Depending on the shape of the tip, use the holes on the sides of the cartridge exchanger to properly adjust the cartridge.

Important: Push the cartridge in as far as it will go, making sure that it is firmly assembled*.

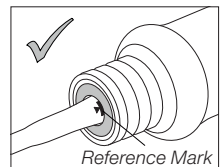
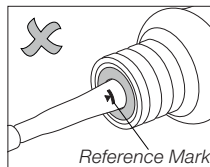
Removing Cartridges



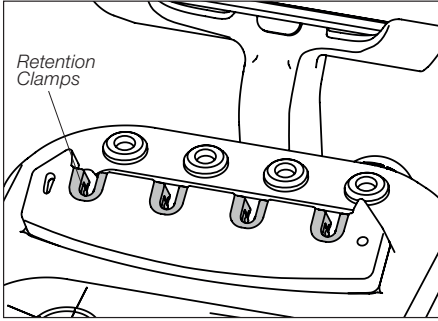
Place the cartridge over one of the slots of the cartridge exchanger and press down (1) until you hear a click. Then pull the handle out (2) to remove the cartridge.

*Inserting C210 Cartridges

Push the cartridges inside the handle until the the reference mark is aligned with the edge of the handle.



Cartridge Retention



Cartridge Retention

Cartridges are held in place inside the cartridge exchanger thanks to the retention clamps, with the advantage that the cartridges do not fall into the exchanger and the cartridge tips are therefore protected. The cartridge exchanger of B-IRON stations works with C210 and C115 cartridges.

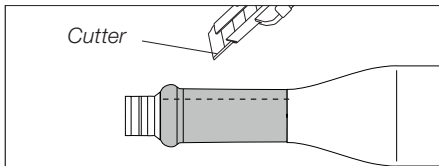
C210 Cartridge Retention Area

The holding area of C210 cartridges goes from the start of the tip until the cartridge begins to widen.



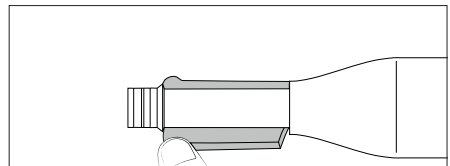
Replacing Grips

1. Cutting



Make a length-ways cut on the worn grip.
⚠ Be careful not to damage the handle.

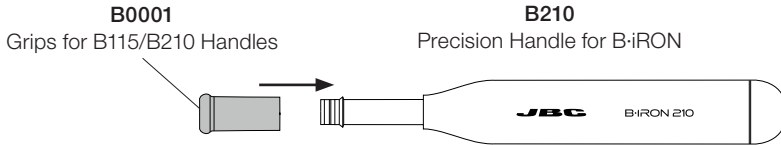
2. Removing



Remove the worn grip.

Assembling New Grips

Firmly slide the grip onto the handle until it locks into place.

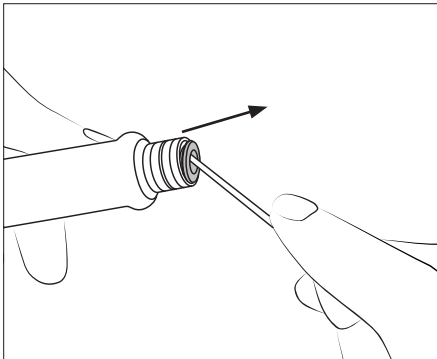


Replacing Sealing Plugs

The sealing plug prevents undesirable flux vapors or particles from entering the handle. Its usage is highly recommended for intensive applications when soldering is exposed to FOD environments or for applications where the soldering iron works close to a vertical position.

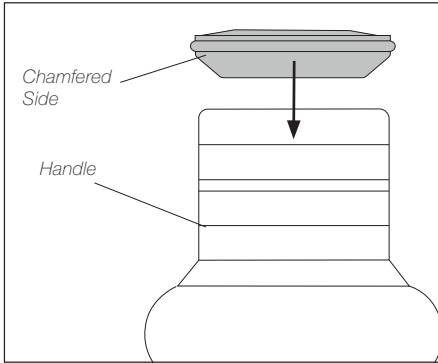
⚠ Before replacing the sealing plug, disconnect the tool from the station and make sure the device is not hot.

1. Removing Sealing Plug



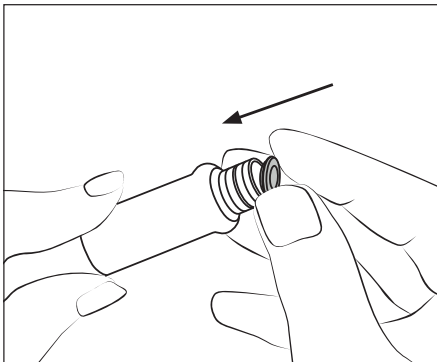
Introduce a small shaft or screwdriver, not deeper than 8 mm, lift and pull the sealing plug. Never use a cartridge to do this operation.

2. Mounting Position



Note: The chamfered side has to be positioned towards the handle.

3. Inserting Sealing Plug



Push the sealing plug inside the handle until the sealing plug and handle edges are aligned.

Maintenance

Before carrying out maintenance, always extract the cartridge from the tool and disconnect the charging stand from the mains. Allow the equipment to cool down.

- Use a damp cloth to clean the casing and the tool. Alcohol can only be used to clean the metal parts.
- Periodically check that the metal parts of the tool and tool holder are clean so that the charging works properly.
- Maintain the tip surface clean and tinned prior to storage in order to avoid tip oxidation. Rusty and dirty surfaces reduce heat transfer to the solder joint.
- Do not use liquids such as alcohol, thinner or benzene to clean the tablet.
- Repairs should only be performed by a JBC authorized technical service.



Safety



It is imperative to follow safety guidelines to prevent electric shock, injury, fire or explosion.

- Do not use the units for any purpose other than soldering or rework. Incorrect use may cause a fire.
- The power cord must be plugged into approved bases. When unplugging it, hold the plug, not the wire.
- Do not attempt to dismantle or open the housing of the tool as it may cause damage.
- Do not work on electrically live parts.
- The tool should be placed in the stand when not in use in order to charge the batteries.
- The soldering tip or nozzle, the metal part of the tool and the stand may still be hot even when the station is turned off.
- Do not leave the tool unattended when it is on.
- Avoid flux coming into contact with skin or eyes to prevent irritation.
- Be careful with the fumes produced when soldering.
- Keep your workplace clean and tidy. Wear appropriate protection glasses and gloves when working to avoid personal harm.
- Utmost care must be taken with liquid tin waste, which can cause burns.
- This appliance can be used by children over the age of eight and also persons with reduced physical, sensory or mental capabilities or lack of experience provided that they have been given adequate supervision or instruction concerning the use of the appliance and understand the hazards involved. Children must not play with the appliance.
- Maintenance must not be carried out by children unless supervised.
- Do not expose the tablet to high temperatures, humidity or dust. Avoid direct sunlight.
- Do not drop the portable display or the tool, as it may cause damage or malfunction.
- Do not disconnect your device when it is in file transfer mode.
- Do not use the portable display in places where wireless communications are restricted.

Safety - Battery



It is imperative to follow safety guidelines to prevent electric shock, injury, fire or explosion.

- **Caution:** This product contains lithium-ion batteries. Mishandling or improper use may result in fire, explosion, or personal injury.
- Always use the provided charger. Do not use damaged chargers or batteries.
- Never attempt to disassemble or modify the batteries or the product. Doing so may lead to electric shock, fire, or damage to the product.
- In the event of damage, leakage, or overheating of the batteries, discontinue use immediately and contact customer support or JBC technical service facility.
- Dispose of devices with batteries inside, responsibly according to regulations. They must be disposed of in accordance with local regulations so that they can be recycled.
- Do not throw devices with batteries into household waste and do not dispose of them in fire or water.

Specifications

B210K

Expansion Kit for B210 Handle

Ref.: B210-KB

B210 Handle

- Peak Power (Tool):	24 W
- Battery:	Li-Ion 7.4 V / 750 mAh
- Charge Time:	60 minutes
- Selectable Temperature:	100 - 450 °C / 210 - 840 °F
- Idle Temp. Stability (still air):	±1.5 °C / ±3 °F
- Temp. Accuracy:	±3% (Using reference cartridge)
- Connections:	Bluetooth Low Energy (BLE)
- Ambient Operating Temp:	10 - 50 °C / 50 - 122 °F
- Tool Weight:	75 g / 0.165 lb
- Total Net Weight:	176 g / 0.39 lb
- Total Package Dimensions/Weight: (L x W x H)	245 x 185 x 45 mm / 307 g 9.65 x 7.28 x 1.77 in / 0.68 lb

Complies with CE standards.

Not grounded device. No ESD discharge feature.

JBC

Warranty

JBC's 2 year warranty covers this equipment against all manufacturing defects, including the replacement of defective parts and labour.

Warranty does not cover product wear or misuse.

In order for the warranty to be valid, equipment must be returned, postage paid, to the dealer where it was purchased.



This product should not be thrown in the garbage.

In accordance with the European directive 2012/19/EU, electronic equipment at the end of its life must be collected and returned to an authorized recycling facility.



www.jbctools.com

0030953-121223